

Types SCL and SCL-D Current Transformers

600 Volt, 10 kV BIL, Indoor
Product Bulletin 1VAP428671-DB



Provided by Northeast Power Systems, Inc.
www.nepsi.com

ABB

Product Features

- 600 Volt Indoor
- 10 kV BIL
- 25 through 400 Hertz
- Primary Amperes 200-4000
- Mechanical Rating:
180 x rated current
- Thermal Rating:
Refer to table on page 4
- Continuous Current Rating Factor:
Refer to table on page 4

Application

The SCL and SCL-D current transformers are used as the source of current for relaying and metering.

Construction Features

The ring-type core is insulated and toroidally wound with a fully distributed secondary winding. The protective case, made of an impact-resistant polycarbonate, is ultrasonically sealed.

Secondary Terminals

Secondary terminals are 10-32 brass terminal studs with hardware.

Curves

Saturation, overcurrent, ratio correction factor, and phase-angle curves are available upon request.

Test Reports

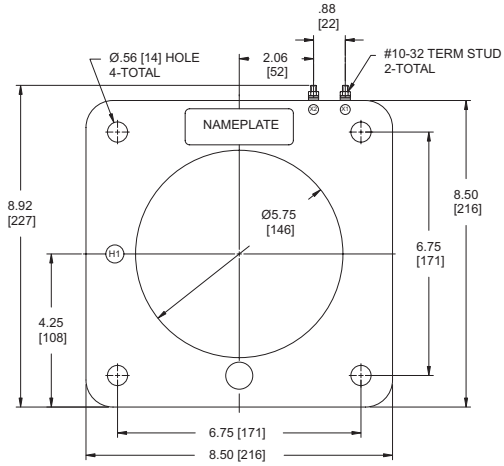
IEEE test reports are stored electronically and can be e-mailed in various formats at the time of shipment.

Standards

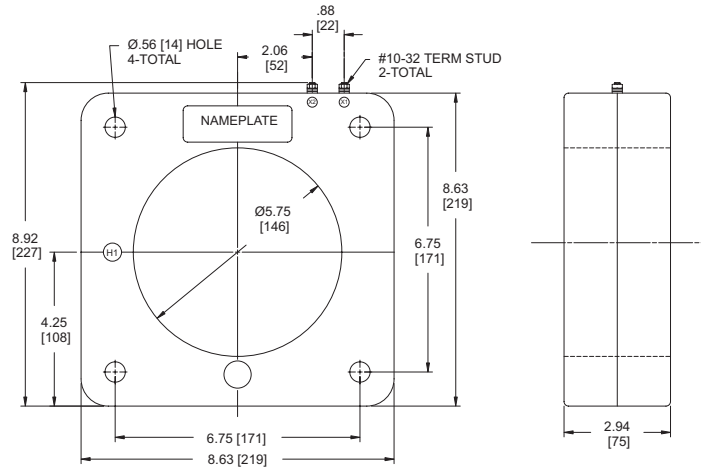
These units meet all applicable IEEE and NEMA standards.

Unit Dimensions

Type SCL

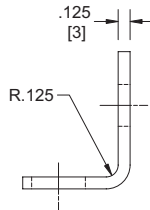
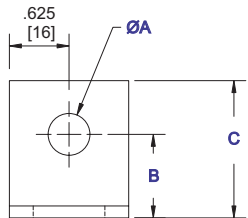
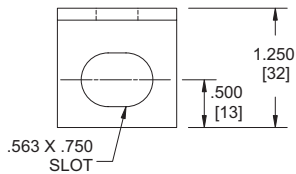


Type SCL-D



Type	Window Size		Thickness		Approximate Weight (lbs)
	(in)	(mm)	(in)	(mm)	
SCL	5.75	146	2.13	54	10
SCL-D	5.75	146	2.94	75	16

Optional Mounting Feet



Mounting Feet Dimensions					
A		B		C	
(in)	(mm)	(in)	(mm)	(in)	(mm)
.562	14	1.156	29	1.844	47

Note: Metric dimensions are displayed in [mm].

Selection Guide

Primary Ampere Rating	Continuous Current Rating		IEEE Metering Accuracy					IEEE Relaying Accuracy	Thermal Rating*	Style Number
	30° C	55° C	B-0.1	B-0.2	B-0.5	B-0.9	B-1.8			
Type SCL (5.75" window)										
200	2.0	1.5	1.2	1.2	2.4	-	-	C10	100	7526A81G01
300	2.0	1.5	0.6	0.6	1.2	2.4	-	C10	100	7526A81G02
400	2.0	1.5	0.6	0.6	1.2	2.4	-	C20	100	7526A81G03
600	2.0	1.5	0.3	0.3	0.3	0.6	1.2	C20	100	7526A81G04
800	2.0	1.5	0.3	0.3	0.3	0.3	0.6	C20	100	7526A81G05
1000	1.5	1.0	0.3	0.3	0.3	0.3	0.6	C50	80	7526A81G06
1200	1.5	1.0	0.3	0.3	0.3	0.3	0.3	C50	80	7526A81G07
1500	1.33	1.0	0.3	0.3	0.3	0.3	0.3	C50	60	7526A81G08
2000	1.33	1.0	0.3	0.3	0.3	0.3	0.3	C50	60	7526A81G09
2500	1.33	1.0	0.3	0.3	0.3	0.3	0.3	C50	60	7526A81G10
3000	1.33	1.0	0.3	0.3	0.3	0.3	0.3	C50	60	7526A81G11
4000	1.33	1.0	0.3	0.3	0.3	0.3	0.3	C50	60	7526A81G12
Type SCL-D (5.75" window)										
200	2.0	1.5	0.6	1.2	2.4	-	-	C10	100	7526A82G01
300	2.0	1.5	0.6	0.6	1.2	2.4	-	C20	100	7526A82G02
400	2.0	1.5	0.3	0.3	0.6	1.2	2.4	C20	100	7526A82G03
600	2.0	1.5	0.3	0.3	0.3	0.6	1.2	C50	100	7526A82G04
800	2.0	1.5	0.3	0.3	0.3	0.3	0.6	C50	100	7526A82G05
1000	1.5	1.0	0.3	0.3	0.3	0.3	0.3	C100	80	7526A82G06
1200	1.5	1.0	0.3	0.3	0.3	0.3	0.3	C100	80	7526A82G07
1500	1.33	1.0	0.3	0.3	0.3	0.3	0.3	C100	60	7526A82G08
2000	1.33	1.0	0.3	0.3	0.3	0.3	0.3	C100	60	7526A82G09
2500	1.33	1.0	0.3	0.3	0.3	0.3	0.3	C100	60	7526A82G10
3000	1.33	1.0	0.3	0.3	0.3	0.3	0.3	C100	60	7526A82G11
4000	1.33	1.0	0.3	0.3	0.3	0.3	0.3	C100	60	7526A82G12

Additional styles available upon request. Contact your ABB Sales Representative or call +1-252-827-3212 for more information.

* times normal, one second

Optional Accessories

- Mounting Feet for SCL 9625A64G02
- Mounting Feet for SCL-D 9625A64G03



ABB Inc.
 3022 NC 43 North
 Pinetops, NC 27864
 Tel: +1-252-827-3212
www.abb.com/mediumvoltage