

Type SCH Current Transformer

600 Volt, 10 kV BIL, Indoor

Product Bulletin 1VAP428641-DB



Provided by Northeast Power Systems, Inc.
www.nepsi.com

ABB

Product Features

- 600 Volt Indoor
- 10 kV BIL
- 25 through 400 Hertz
- Primary Amperes 50-800
- Mechanical Rating:
180 x rated current
- Thermal Rating:
Refer to table on page 4
- Continuous Current Rating Factor:
Refer to table on page 4
- UL Recognized Component;
File No. E96461



UL Recognized Component

Application

The SCH current transformer is used as the source of current for relaying and metering. It is available in five internal window diameter sizes and dual and multi-ratio designs are available upon request.

Construction Features

The ring-type core is insulated and toroidally wound with a fully distributed secondary winding. The protective case, made of an impact-resistant polycarbonate, is ultrasonically sealed.

Secondary Terminals

Secondary terminals are 10-32 brass terminal studs with hardware.

Curves

Saturation, overcurrent, ratio correction factor, and phase-angle curves are available upon request.

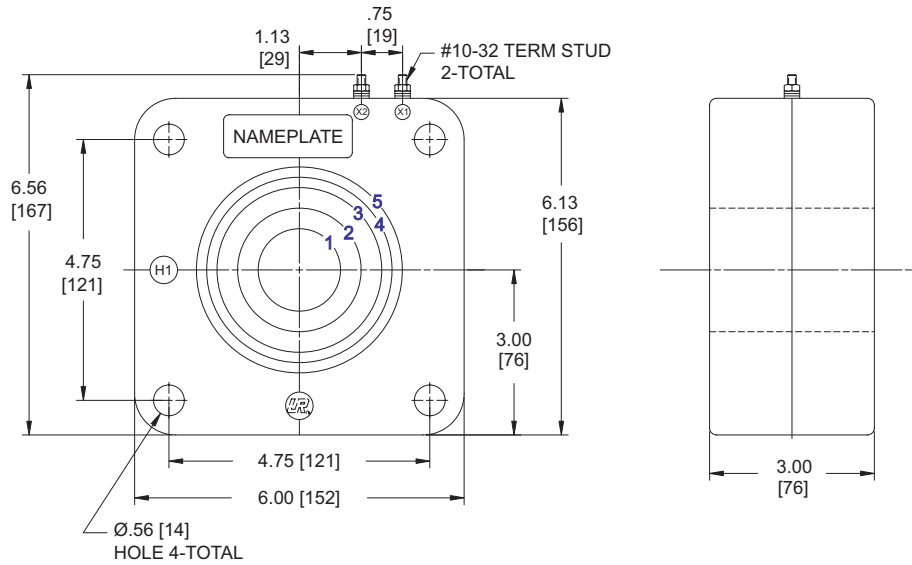
Test Reports

IEEE test reports are stored electronically and can be e-mailed in various formats at the time of shipment.

Standards

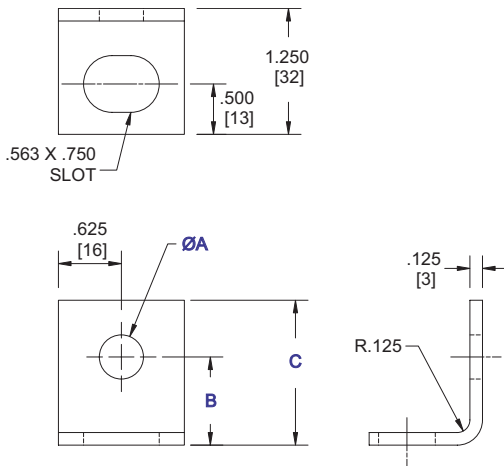
This unit meets all applicable IEEE and NEMA standards and is a UL Recognized Component.

Unit Dimensions



Type	Window Size		Thickness		Approximate Weight (lbs)
	(in)	(mm)	(in)	(mm)	
SCH-1	1.5	38	3.0	76	15
SCH-2	2.25	57	3.0	76	13
SCH-3	3.0	76	3.0	76	11
SCH-4	3.375	86	3.0	76	9
SCH-5	3.75	95	3.0	76	8.5

Optional Mounting Feet



Mounting Feet Dimensions					
A		B		C	
(in)	(mm)	(in)	(mm)	(in)	(mm)
.562	14	1.156	29	1.844	47

Note: Metric dimensions are displayed in [mm].

Selection Guide

Primary Ampere Rating	Continuous Current Rating		IEEE Metering Accuracy					IEEE Relaying Accuracy	Thermal Rating*	Style Number
	30° C	55° C	B-0.1	B-0.2	B-0.5	B-0.9	B-1.8			
Type SCH-1 (1.5" window)										
50	2.0	1.5	2.4	2.4	4.8	-	-	C10	100	7525A31G01
75	2.0	1.5	1.2	1.2	2.4	4.8	-	C10	100	7525A31G02
100	2.0	1.5	0.6	1.2	2.4	2.4	4.8	C20	100	7525A31G03
150	2.0	1.5	0.3	0.6	1.2	1.2	2.4	C20	100	7525A31G04
200	2.0	1.5	0.3	0.3	0.6	1.2	1.2	C20	100	7525A31G05
250	1.5	1.0	0.3	0.3	0.3	0.6	1.2	C50	80	7525A31G06
300	1.5	1.0	0.3	0.3	0.3	0.3	0.6	C50	80	7525A31G07
400	1.5	1.0	0.3	0.3	0.3	0.3	0.3	C100	80	7525A31G08
Type SCH-2 (2.25" window)										
75	2.0	1.5	1.2	2.4	4.8	-	-	C10	100	7525A32G02
100	2.0	1.5	0.6	1.2	2.4	4.8	-	C10	100	7525A32G03
150	2.0	1.5	0.3	0.6	1.2	2.4	2.4	C20	100	7525A32G04
200	2.0	1.5	0.3	0.3	0.6	1.2	2.4	C20	100	7525A32G05
250	2.0	1.5	0.3	0.3	0.3	0.6	1.2	C20	100	7525A32G06
300	2.0	1.5	0.3	0.3	0.3	0.6	1.2	C50	100	7525A32G07
400	1.5	1.0	0.3	0.3	0.3	0.3	0.6	C50	80	7525A32G08
500	1.5	1.0	0.3	0.3	0.3	0.3	0.3	C50	80	7525A32G09
600	1.5	1.0	0.3	0.3	0.3	0.3	0.3	C100	80	7525A32G10
Type SCH-3 (3.0" window)										
100	2.0	1.5	0.6	1.2	2.4	-	-	C10	100	7525A33G03
150	2.0	1.5	0.6	0.6	1.2	2.4	-	C10	100	7525A33G04
200	2.0	1.5	0.3	0.6	0.6	1.2	2.4	C20	100	7525A33G05
250	2.0	1.5	0.3	0.3	0.6	1.2	1.2	C20	100	7525A33G06
300	2.0	1.5	0.3	0.3	0.6	0.6	1.2	C20	100	7525A33G07
400	2.0	1.5	0.3	0.3	0.3	0.6	0.6	C50	100	7525A33G08
500	1.5	1.0	0.3	0.3	0.3	0.3	0.6	C50	80	7525A33G09
600	1.5	1.0	0.3	0.3	0.3	0.3	0.3	C50	80	7525A33G10
800	1.33	1.0	0.3	0.3	0.3	0.3	0.3	C100	60	7525A33G12
Type SCH-4 (3.375" window)										
100	2.0	1.5	1.2	1.2	2.4	-	-	C5	100	7525A34G03
150	2.0	1.5	0.6	0.6	1.2	2.4	-	C10	100	7525A34G04
200	2.0	1.5	0.6	0.6	1.2	2.4	-	C10	100	7525A34G05
250	2.0	1.5	0.3	0.3	0.6	1.2	2.4	C20	100	7525A34G06
300	2.0	1.5	0.3	0.3	0.6	1.2	2.4	C20	100	7525A34G07
400	2.0	1.5	0.3	0.3	0.3	0.6	0.6	C20	100	7525A34G08
500	1.5	1.0	0.3	0.3	0.3	0.3	0.6	C20	80	7525A34G09
600	1.5	1.0	0.3	0.3	0.3	0.3	0.6	C50	80	7525A34G10
800	1.33	1.0	0.3	0.3	0.3	0.3	0.3	C50	60	7525A34G12
Type SCH-5 (3.75" window)										
150	2.0	1.5	0.6	1.2	2.4	-	-	C10	100	7525A35G04
200	2.0	1.5	0.6	0.6	1.2	2.4	-	C10	100	7525A35G05
250	2.0	1.5	0.3	0.6	1.2	1.2	2.4	C10	100	7525A35G06
300	2.0	1.5	0.3	0.3	0.6	1.2	2.4	C10	100	7525A35G07
400	2.0	1.5	0.3	0.3	0.3	0.6	1.2	C20	100	7525A35G08
500	1.5	1.0	0.3	0.3	0.3	0.6	1.2	C20	80	7525A35G09
600	1.5	1.0	0.3	0.3	0.3	0.3	0.6	C20	80	7525A35G10
800	1.33	1.0	0.3	0.3	0.3	0.3	0.3	C50	60	7525A35G12

}

Provided by Northeast Power Systems, Inc.
www.nepsi.com

}

Additional styles available upon request. Contact your ABB Sales Representative or call +1-252-827-3212 for more information.

* times rated current, one second

Optional Accessories

- Mounting Feet 7528A98G02



ABB Inc.
 3022 NC 43 North
 Pinetops, NC 27864
 Tel: +1-252-827-3212
www.abb.com/mediumvoltage